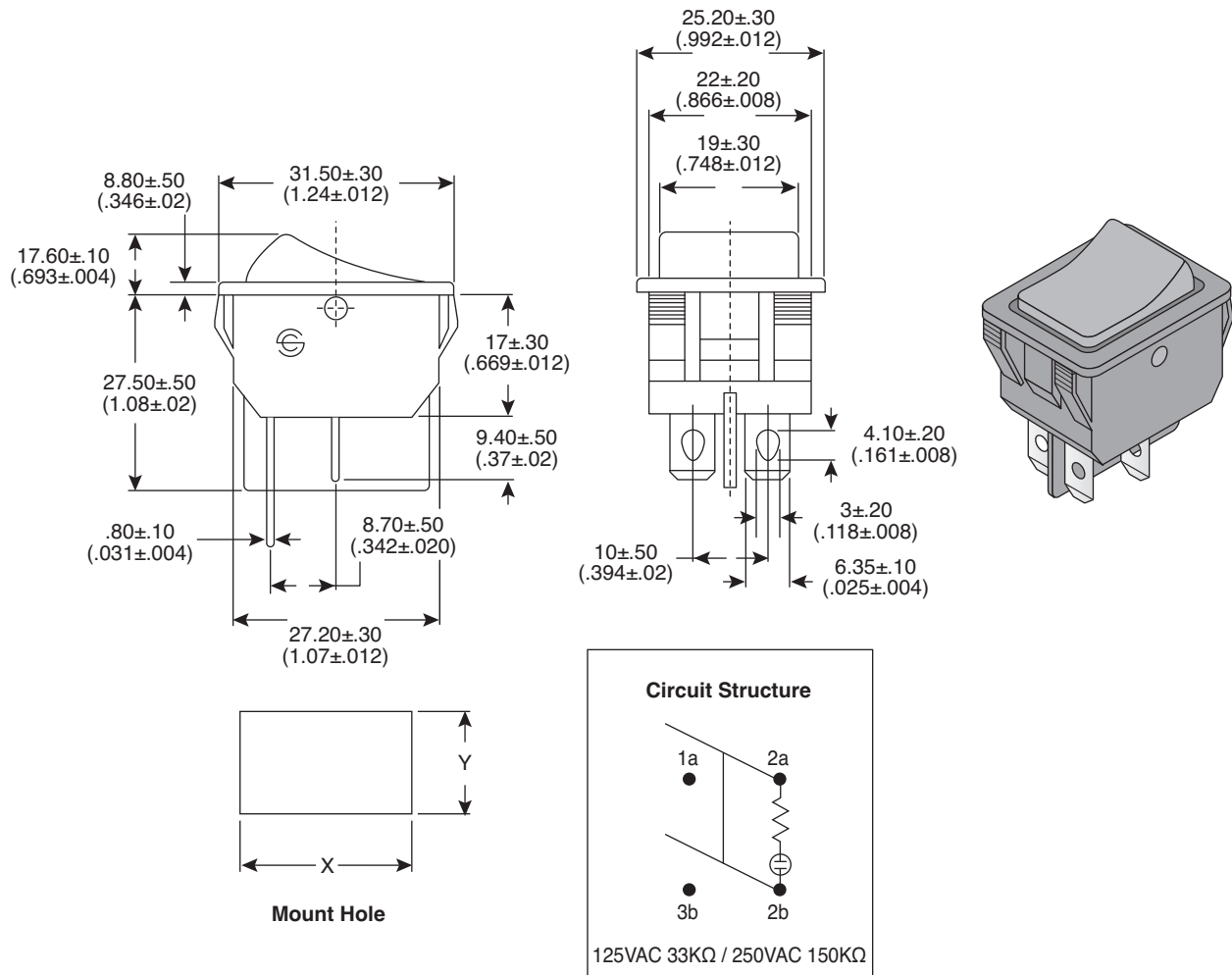


Dimensions: mm (In.)



Mouser Stock No.	Illuminated Button Color
103-7079-EV	Red

Thickness	X	Y
0.75...1.25	30.2 -0.1	22.2 + 0.1
1.25...2	30.4 -0.1	22.2 + 0.1
2...3	30.8 -0.1	22.2 + 0.1

**Electrical Specifications:**

- Rating: 16A / 125VAC, 10A / 250 VAC
- Contact Resistance: 50m Ω max.
- Insulation Resistance: 500 VDC 100M Ω min.
- Dielectric Strength: 1500 VAC 1 minute

**Note:**

- RoHS Compliant

**Mechanical Specifications:**

- Operating Temperature: -20°C ~ 85°C
- Circuit: 4P DPST On-Off
- Neon Lamp: 110VAC

**Illuminated Rocker Switch**  
103-7079-EV

